

NN Stainless Steel Tank



NN tank supplied by VODASERVIS Ltd. is made of high quality stainless steel AISI 304 or AISI 316L. It is a **non-pressurized accumulation tank suitable for the storage of clean water**, which can be used as drinking water.

The tank legs are designed to guarantee high stability. The upper lid of the tank is sealable and removable. The tank is equipped with a connection for deaeration in the upper lid, with two inlets on the side and a thread drain valve at the bottom. This is a **standardized product at a very reasonable price.**

Table - Dimensions – Horizontal Design

Volume l	De	L	H	A	C	D	E	F	G	1-2	3	4	5	Weight kg
mm														
125	500	710	630	200	590	545	125	70	0	1"	1"	1"	ø 240	12
200	500	1085	630	250	590	545	125	70	0	1"	1"	1"	ø 240	16
300 (ø 500)	500	1610	630	250	590	545	125	70	0	1"	1"	1"	ø 240	21
300 (ø 600)	600	1190	750	250	695	660	120	85	0	1"	1"	1"	ø 240	23
500	650	1420	800	250	740	720	130	85	0	1"	1"	1"	ø 240	30
750	750	1760	890	250	835	800	125	75	0	1"	1"	1"	ø 240	43
1000	850	1730	990	250	930	895	130	70	0	1"	1"	1"	ø 240	49
1500	1100	1755	1250	260	1185	1155	145	80	0	1"1/4	1"	1"	ø 320	67
2000	1100	2255	1250	260	1185	1155	145	80	0	1"1/4	1"	1"	ø 320	82
3000	1270	2480	1450	260	1395	1345	185	110	0	1"1/2	1"1/2	1"	ø 320	129
4000	1430	2530	1610	320	1545	1510	170	100	0	1"1/2	1"1/2	1"1/4	ø 400	148
5000	1600	2530	1780	320	1710	1655	185	95	180	1"1/2	1"1/2	1"1/4	ø 400	206
6000	1600	3030	1765	320	1720	1655	185	95	180	2"	2"	2"	ø 400	251
8000	1600	4030	1765	320	1720	1655	185	95	180	2"	2"	2"	ø 400	395
10000	1600	5030	1765	320	1720	1655	185	95	180	2"	2"	2"	ø 400	475

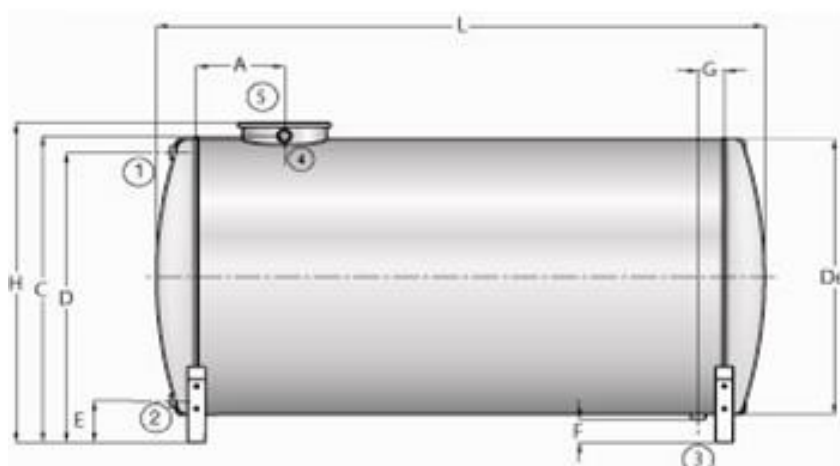
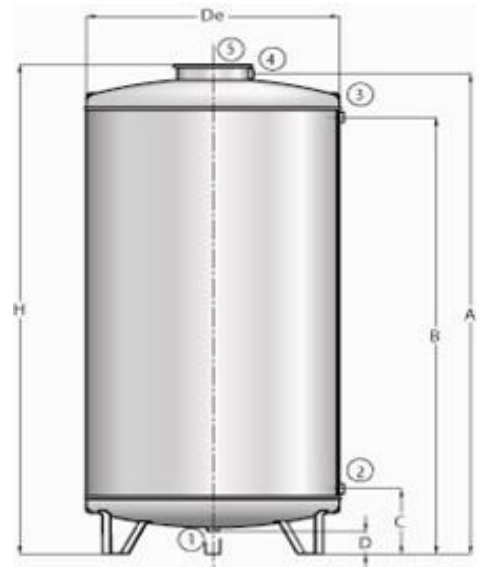


Table - Dimensions – Vertical Design

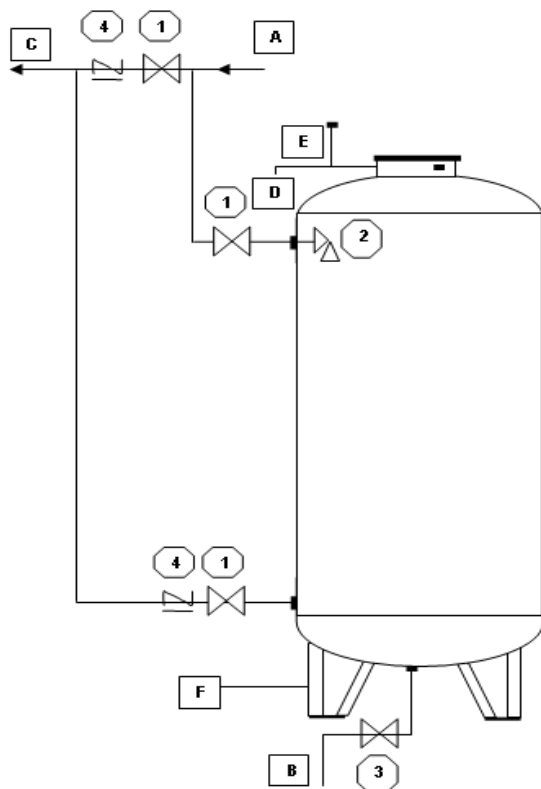
Volume - v	De	H	A	B	C	D	1	2-3	4	5	Weight
l	mm						Connection			mm	kg
125	500	880	845	700	260	105	1"	1"	1"	ø 240	12
200	500	1255	1220	1070	260	105	1"	1"	1"	ø 240	16
300 (ø 500)	500	1780	1745	1600	260	105	1"	1"	1"	ø 240	21
300 (ø 600)	600	1360	1320	1180	245	100	1"	1"	1"	ø 240	24
500	650	1590	1560	1415	235	100	1"	1"	1"	ø 240	30
750	750	1915	1885	1700	270	90	1"	1"	1"	ø 240	40
1000	850	1890	1850	1685	255	90	1"	1"	1"	ø 240	46
1500	1100	1900	1870	1685	255	75	1"	1 1/4"	1"	ø 320	65
2000	1100	2400	2365	2185	255	75	1"	1 1/4"	1"	ø 320	79
3000	1270	2620	2585	2410	240	60	1 1/2"	1 1/2"	1"	ø 320	126
4000	1430	2670	2630	2425	255	55	1 1/2"	1 1/2"	1 1/4"	ø 400	146
5000	1600	2660	2620	2415	245	40	1 1/2"	1 1/2"	1 1/4"	ø 400	197
6000	1600	3275	3235	3025	365	145	1 1/2"	2"	2"	ø 400	286
8000	1600	4275	4235	4025	365	145	2"	2"	2"	ø 400	467
10000	1600	5275	5235	5025	365	145	2"	2"	2"	ø 400	548



Connection and installation

The tank legs should be placed on a fixed horizontal surface. We recommend using a stainless steel or PVC fitting for connecting tanks. The tanks are installed on a solid horizontal surface and in an object or environment where the temperature does not drop below freezing. Tanks are not intended for the transport. The maximum temperature of the stored liquid is 60 °C.

Example of Vertikal Tank Connection



Legend	
System Components	Service
1 Shut-Off Valves	A Inlet
2 Float Valves	B Outlet
3 Drain Cock	C Water Displacement
4 Reverse Throttle Valve	D Overflow
	E Ventilation
	F Legs